

GENERAL NOTES

ANY CONFLICTING UTILITIES SHALL BE RELOCATED PRIOR TO CONSTRUCTION OF ROAD AND DRAINAGE FACILITIES.
 INSTALL FILTER FABRIC (AMOCO 4545 OR EQUIVALENT) BETWEEN THE DRYWELL BARREL AND THE DRAIN ROCK, AND BETWEEN THE DRAIN ROCK AND NATIVE SOIL.

CONSTRUCTION NOTES:

- ① MATCH EXISTING CURB RETURNS.
- ② SPOKANE COUNTY STANDARD TYPE "A" CURB
- ③ SPOKANE COUNTY STANDARD TYPE "R" ROLLED CURB
- ④ 5' CURB TRANSITION FROM ROLLED CURB TO STANDARD CURB BEGIN TRANSITION STA 8+68.13 END TRANSITION STA 8+73.13 (SEE DETAIL, THIS SHEET)
- ⑤ INSTALL "DEAD END" AND "10-MPH SPEED LIMIT" SIGN PER SPOKANE COUNTY STANDARDS & M.U.T.C.D.
- ⑥ INSTALL STREET NAME AND STOP SIGN PER SPOKANE COUNTY STANDARDS & M.U.T.C.D.
- ⑦ INSTALL STREET NAME SIGN PER SPOKANE COUNTY STANDARDS & M.U.T.C.D.
- ⑧ APPROXIMATE LOCATION OF MAIL BOX CLUSTER

CURVE INFORMATION					
CURVE	RADIUS	LENGTH	TANGENT	CHORD	DELTA
C1	45.00'	141.37'	90.00'	180'00"00"	
C2	45.00'	141.37'	90.00'	180'00"00"	
C10	30.00'	31.61'	17.45'	30.17'	60'22"01"
C11	30.00'	38.85'	22.69'	36.19'	74'12"12"

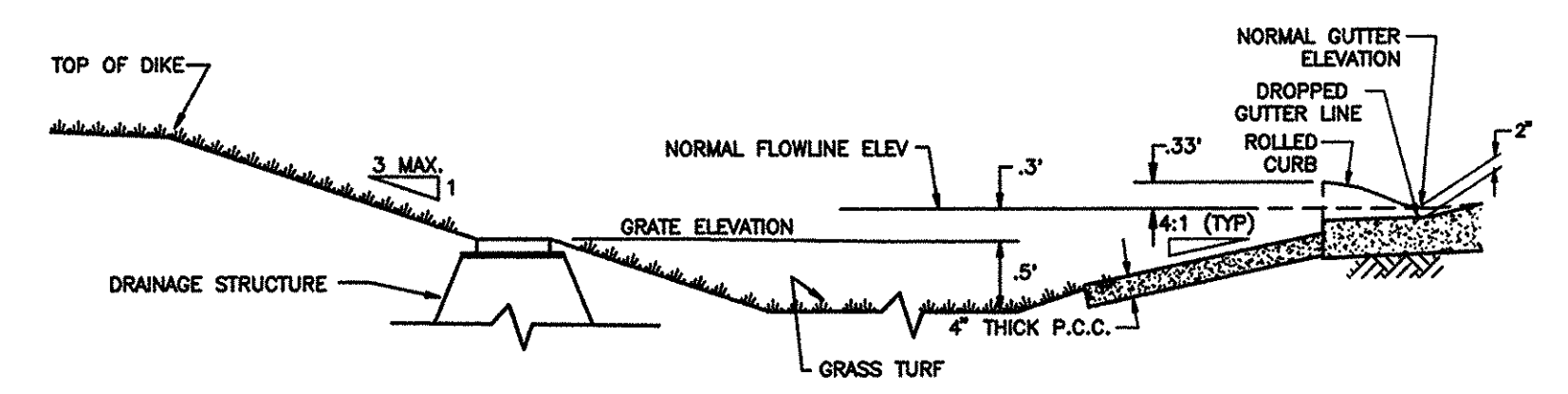
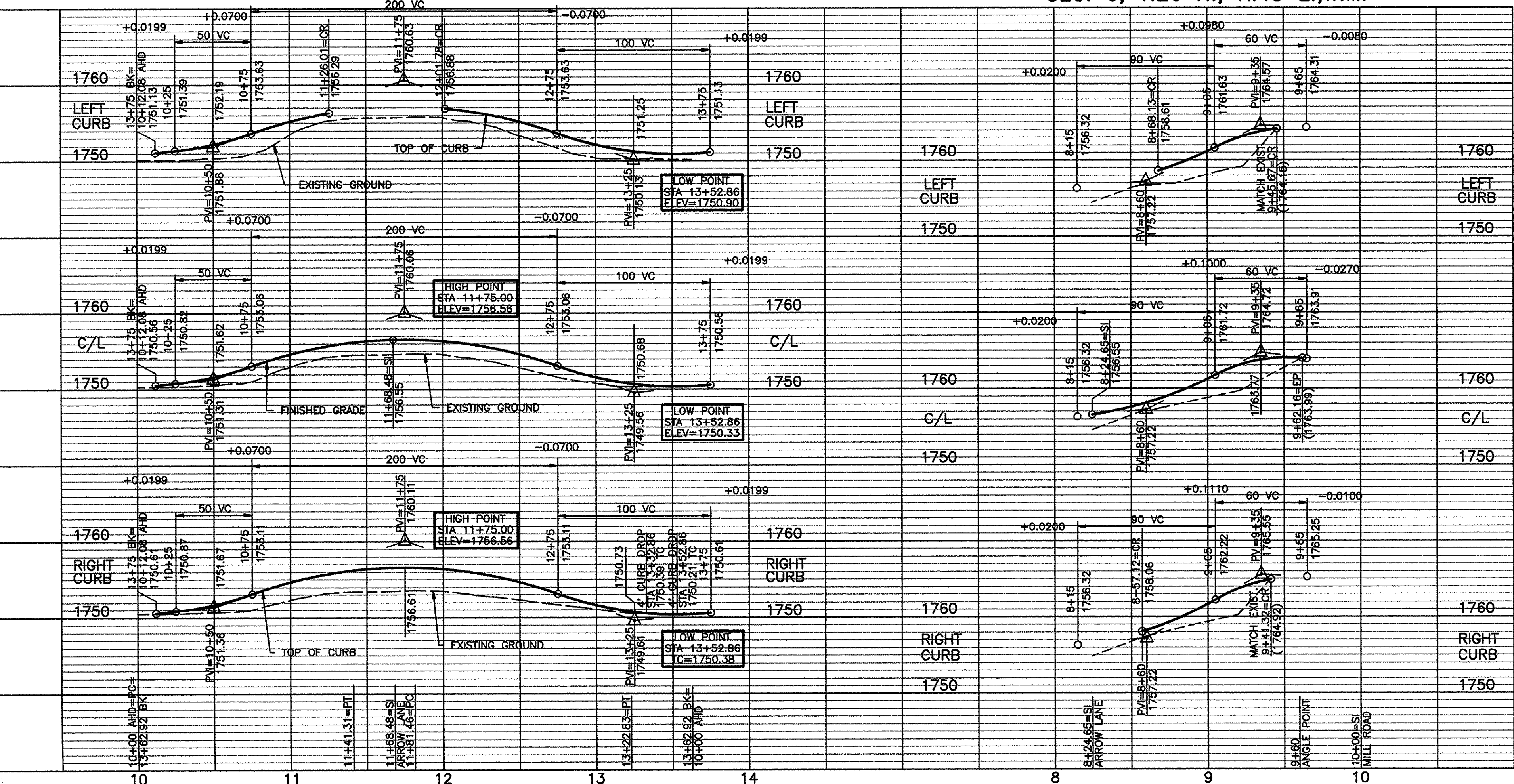
* CURVE INFORMATION REFERS TO BACK OF CURB

COUNTY DATUM

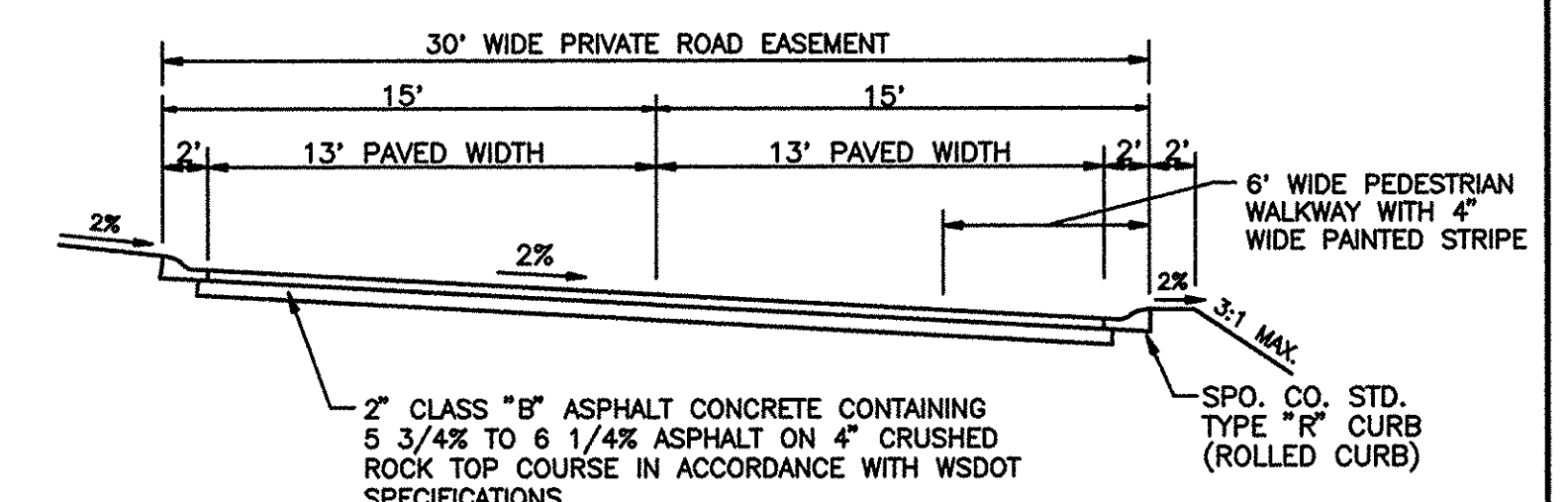
COUNTY BENCHMARK NO. 405
 FOUND BRASS CAP ON THE SW CORNER
 OF BRIDGE ON LITTLE SPOKANE DRIVE
 ELEVATION 1601.717

Paul H. Wikman Jr.
 DEVELOPER'S APPROVAL
 DATE 4-19-94

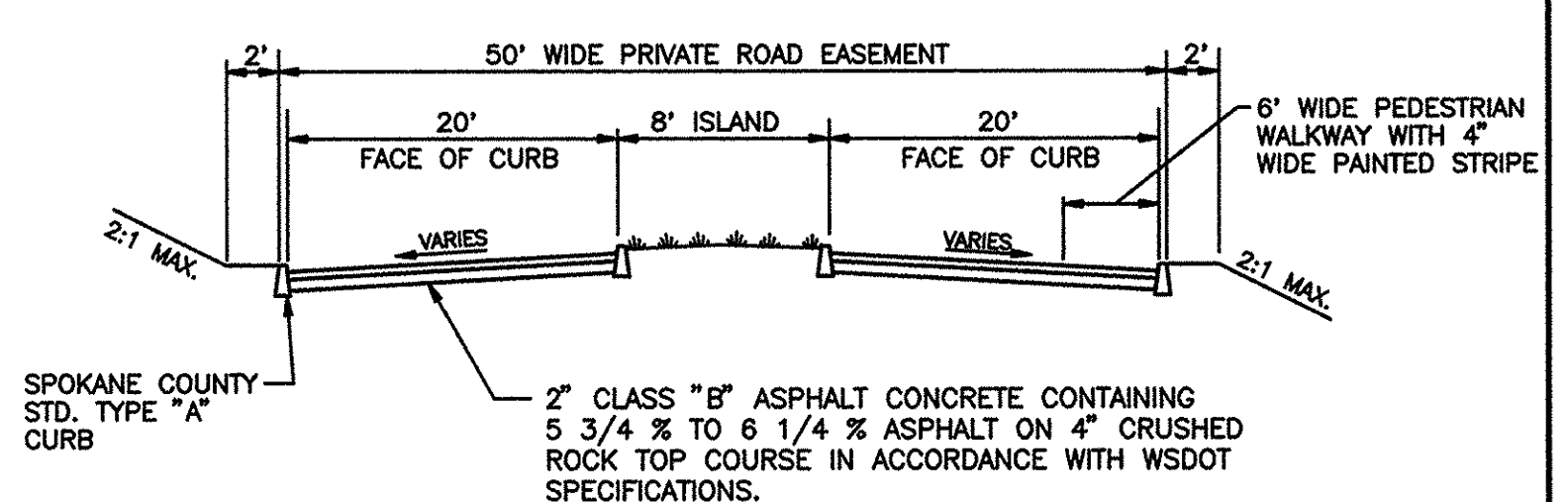
SEC. 6, T.26 N., R.43 E., W.M.



TYPICAL '208' POND WITH DRAINAGE STRUCTURE SECTIONAL VIEW

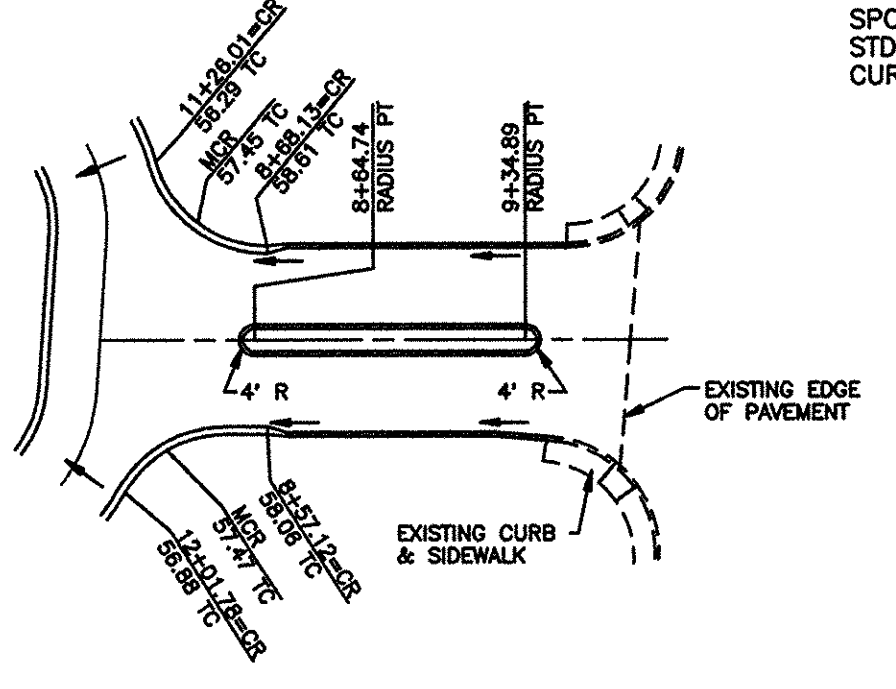


TYPICAL CROSS-SECTION LOOP LANE - LOOKING UPSTATION

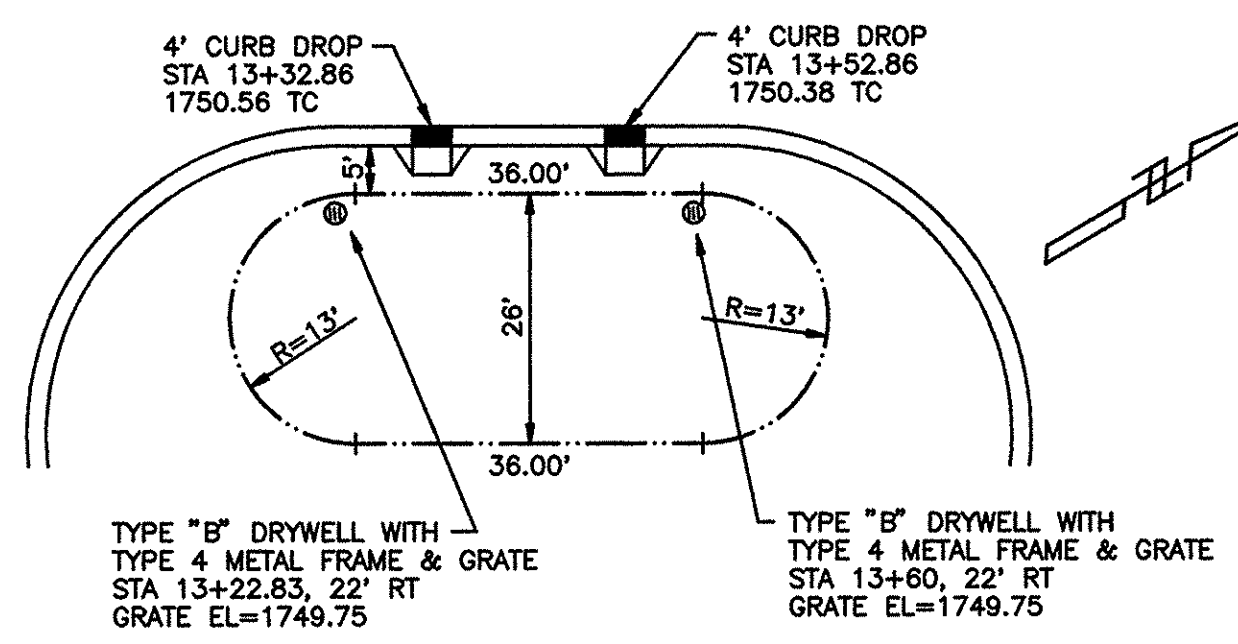


TYPICAL CROSS-SECTION ENTRY LANE - LOOKING UPSTATION

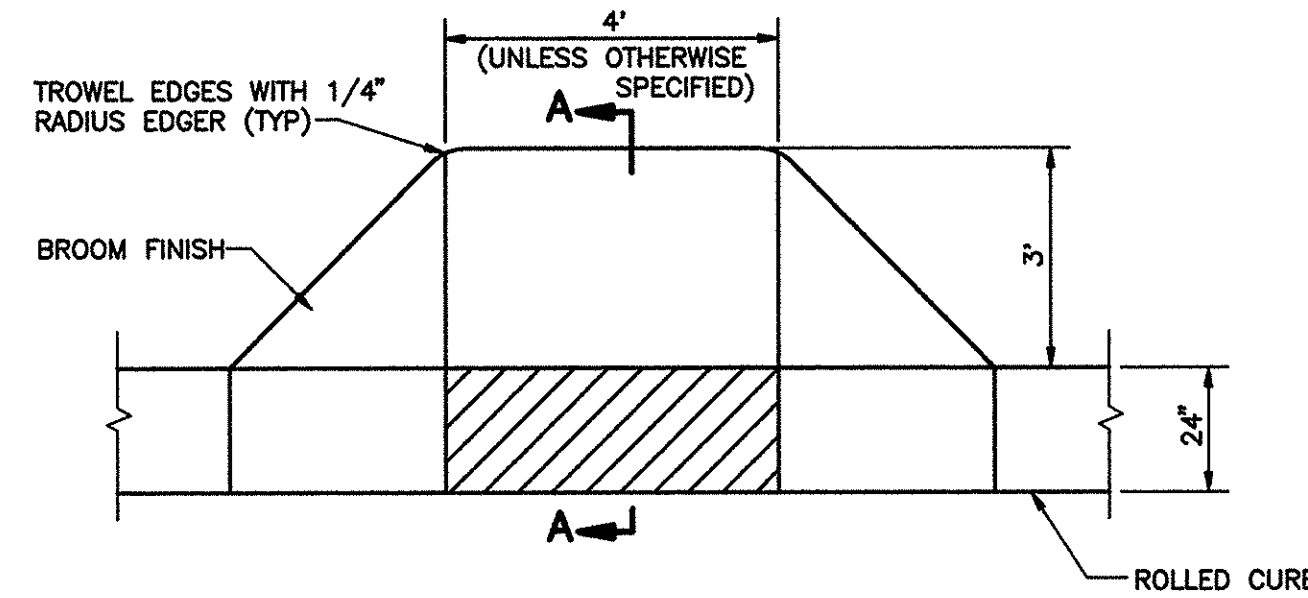
ROAD CONFIGURATION APPROVAL:
Clark Evans
 FIRE DISTRICT #9
 DATE 5/1/94



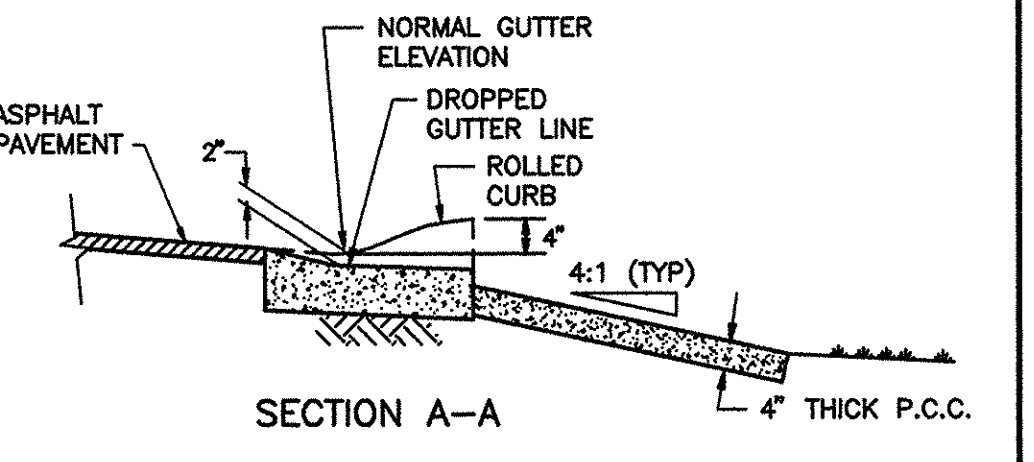
CURB TRANSITION DETAIL ROLLED CURB TO STANDARD CURB



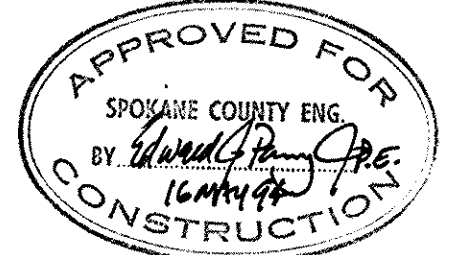
POND DETAIL



TYPE "R" CURB INLET (NOT TO SCALE)



SECTION A-A



PERMIT REQUIRED!
 NOTIFY THE PERMIT ENGINEER
 456-3600
 24 HRS. PRIOR TO CONSTRUCTION

SCALE
 HORIZONTAL 1"=50'
 VERTICAL 1"=10'

DATE 4/18/94
 DWG. MWK
 CHK. SPS
 APP. SPS

REVISIONS

NO.	DATE	BY

EXPIRES: 1-10-96

INLAND PACIFIC ENGINEERING
 207 West 7th, Suite 200
 Spokane, WA 99204
 (509) 455-8840
 FAX: (509) 455-8844

ARROWHEAD SOUTH ARROW LANE

P1710

SHEET 1 OF 1
 JOB NUMBER 92097

CALL BEFORE YOU DIG 456-8000